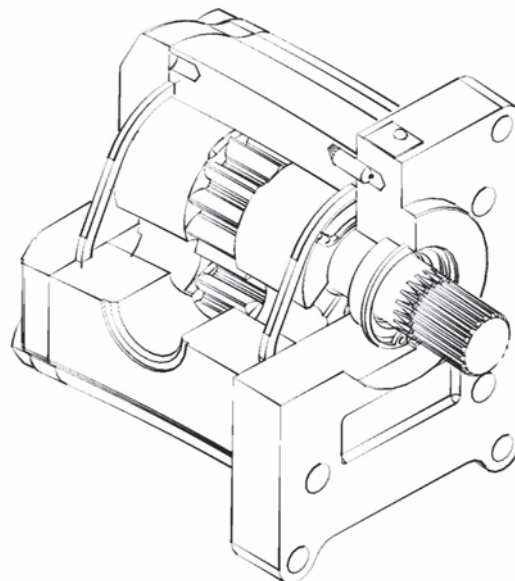


**Displacement** from 5 to 39 ccm  
**Pressure** up to 250 bar  
**Speed** from 400 to 3200 RPM

**GEAR MOTORS**  
**UMD**

## TABLE OF CONTENTS

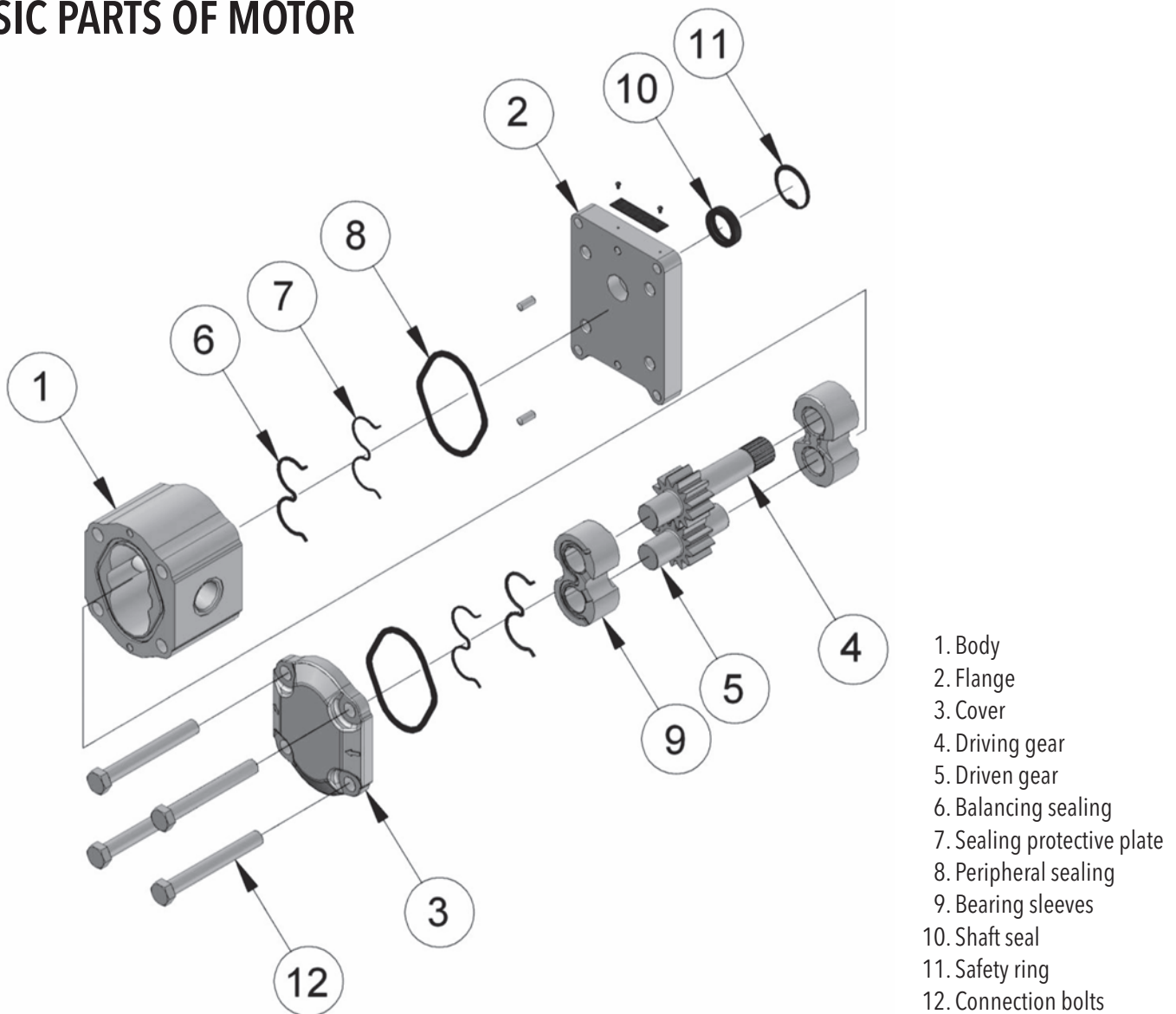
DESCRIPTION.....	2
BASIC PARTS OF MOTOR.....	2
PARAMETER TABLE.....	3
FORMULAS USED FOR CALCULATION.....	5
MOTOR EFFICIENCIES.....	5
WORKING LIQUID.....	6
PRESSURE LOAD.....	6
OTHER REQUIREMENTS.....	7
SHAFT SEAL.....	7
DIRECTION OF ROTATION.....	7
REVERSIBLE DESIGN.....	7
MOTOR WITH A FRONT-END BEARING.....	8
UMD FLOW RATE AND POWER CURVES.....	9
ORDER KEY.....	12
COMBINATION OF FLANGES AND SHAFTS.....	13
FLANGE DESIGN.....	14
DRIVE SHAFTS.....	15
LIQUID INLETS AND OUTLETS CONNECTION.....	16
CATALOGUE SHEETS OF UMD SERIES BASIC DESIGN.....	17
NOTES.....	19



## DESCRIPTION

- Gear motors of UMD series are used for transformation of liquid pressure head in mechanical energy. Cover and flange are manufactured of grey iron. The body is designed from of shaped profile bars from aluminium alloy. They meet all world standards, as well as execution input and output of the working fluid (the location on the side – in the body or axially – in the cover). Motors are connected with four through-bolts from M12 high strength steel. They are equipped with a hydraulic pressure compensation axial-clearance which is executed by means of a balancing sealing directly in the bearing sleeves. UMD motors are manufactured in a unidirectional design as clockwise or anticlockwise motor can be reversible in the embodiment.

## BASIC PARTS OF MOTOR



## PARAMETER TABLE

### One direction motors

Nominal Size Parameters		Sym.	Unit	UMD 5	UMD 8	UMD 10	UMD 12,5	UMD 16
Actual displacement		$V_g$	[cm <sup>3</sup> ]	5.01	7.93	10.02	12.10	16.28
Rotation speed	nominal	$n_n$	[min <sup>-1</sup> ]	1500	1500	1500	1500	1500
	minimum	$n_{min}$	[min <sup>-1</sup> ]	600	600	450	450	450
	maximum	$n_{max}$	[min <sup>-1</sup> ]	3200	3200	3200	3200	3200
Pressure at outlet	minimum	$p_{1min}$	[bar]	-0.3	-0.3	-0.3	-0.3	-0.3
	maximum	$p_{1max}$	[bar]	0.5	0.5	0.5	0.5	0.5
Pressure at inlet	max. continuous	$p_{2n}$	[bar]	250	250	250	250	250
	maximum	$p_{2max}$	[bar]	300	300	300	300	290
	peak	$p_3$	[bar]	310	310	310	310	300
Nominal input flow rate (max.) at $n_n$ and $p_{2n}$		$Q_n$	[dm <sup>3</sup> .min <sup>-1</sup> ]	8.8	14.1	17.0	21.3	26.7
Maximum input flow rate at $n_{max}$ and $p_{2max}$		$Q_{max}$	[dm <sup>3</sup> .min <sup>-1</sup> ]	17.0	27.2	34.0	42.6	54.5
Nominal output power (min.) at $n_n$ and $p_{2n}$		$P_n$	[kW]	2.5	4.1	5.2	6.5	8.5
Maximum output power at $n_{max}$ and $p_{2max}$		$P_{max}$	[kW]	7.1	11.3	14.1	14.6	21.8
Nominal Torque at $n_n$ and $p_{2n}$		$M$	[Nm]	17.9	28.6	35.8	44.8	57.3
Weight		$m$	[kg]	5.00	5.15	5.30	5.40	5.55

Nominal Size Parameters		Sym.	Unit	UMD 20	UMD 25	UMD 28	UMD 31	UMD 39
Actual displacement		$V_g$	[cm <sup>3</sup> ]	20.45	25.46	28.38	32.14	40.07
Rotation speed	nominal	$n_n$	[min <sup>-1</sup> ]	1500	1500	1500	1500	1200
	minimum	$n_{min}$	[min <sup>-1</sup> ]	450	450	450	450	400
	maximum	$n_{max}$	[min <sup>-1</sup> ]	3200	3200	3000	2800	1800
Pressure at outlet	minimum	$p_{1min}$	[bar]	-0.3	-0.3	-0.3	-0.3	-0.3
	maximum	$p_{1max}$	[bar]	0.5	0.5	0.5	0.5	0.5
Pressure at inlet	max. continuous	$p_{2n}$	[bar]	230	200	200	160	120
	maximum	$p_{2max}$	[bar]	270	250	230	200	160
	peak	$p_3$	[bar]	280	260	240	210	170
Nominal input flow rate (max.) at $n_n$ and $p_{2n}$		$Q_n$	[dm <sup>3</sup> .min <sup>-1</sup> ]	33.3	41.7	46.7	51.7	65.0
Maximum input flow rate at $n_{max}$ and $p_{2max}$		$Q_{max}$	[dm <sup>3</sup> .min <sup>-1</sup> ]	68.1	85.1	89.4	92.3	74.7
Nominal output power (min.) at $n_n$ and $p_{2n}$		$P_n$	[kW]	9.7	10.6	11.8	10.5	9.9
Maximum output power at $n_{max}$ and $p_{2max}$		$P_{max}$	[kW]	25.4	2.4	28.4	25.5	16.5
Nominal Torque at $n_n$ and $p_{2n}$		$M$	[Nm]	65.9	71.6	80.2	71.0	67.0
Weight		$m$	[kg]	5.70	5.85	6.00	6.20	6.55

## Reversible motors

Nominal Size Parameters		Sym.	Unit	UMD 5	UMD 8	UMD 10	UMD 12,5	UMD 16
Actual displacement		$V_g$	[cm <sup>3</sup> ]	5.01	7.93	10.02	12.10	16.28
Rotation speed	nominal	$n_n$	[min <sup>-1</sup> ]	1500	1500	1500	1500	1500
	minimum	$n_{min}$	[min <sup>-1</sup> ]	600	600	450	450	450
	maximum	$n_{max}$	[min <sup>-1</sup> ]	3200	3200	3200	3200	3200
Pressure at outlet	minimum	$p_{1min}$	[bar]	-0.3	-0.3	-0.3	-0.3	-0.3
	maximum	$p_{1max}$	[bar]	160	160	160	160	160
Pressure at inlet	max. continuous	$p_{2n}$	[bar]	230	230	230	230	230
	maximum	$p_{2max}$	[bar]	280	280	280	280	270
	peak	$p_3$	[bar]	290	290	290	290	280
Nominal input flow rate (max.) at $n_n$ and $p_{2n}$		$Q_n$	[dm <sup>3</sup> .min <sup>-1</sup> ]	8.8	14.1	17.0	21.3	26.7
Maximum input flow rate at $n_{max}$ and $p_{2max}$		$Q_{max}$	[dm <sup>3</sup> .min <sup>-1</sup> ]	17.0	27.2	34.0	42.6	54.5
Nominal output power (min.) at $n_n$ and $p_{2n}$		$P_n$	[kW]	2.5	4.1	5.2	6.5	8.5
Maximum output power at $n_{max}$ and $p_{2max}$		$P_{max}$	[kW]	7.1	11.3	14.1	14.6	21.8
Nominal Torque at $n_n$ and $p_{2n}$		$M$	[Nm]	17.9	28.6	35.8	44.8	57.3
Weight		$m$	[kg]	5.00	5.15	5.30	5.40	5.55

Nominal Size Parameters		Sym.	Unit	UMD 20	UMD 25	UMD 28	UMD 31	UMD 39
Actual displacement		$V_g$	[cm <sup>3</sup> ]	20.45	25.46	28.38	32.14	40.07
Rotation speed	nominal	$n_n$	[min <sup>-1</sup> ]	1500	1500	1500	1500	1200
	minimum	$n_{min}$	[min <sup>-1</sup> ]	450	450	450	450	400
	maximum	$n_{max}$	[min <sup>-1</sup> ]	3200	3200	3000	2800	1800
Pressure at outlet	minimum	$p_{1min}$	[bar]	-0.3	-0.3	-0.3	-0.3	-0.3
	maximum	$p_{1max}$	[bar]	140	110	110	70	40
Pressure at inlet	max. continuous	$p_{2n}$	[bar]	210	180	180	140	110
	maximum	$p_{2max}$	[bar]	250	230	210	180	150
	peak	$p_3$	[bar]	260	240	220	190	160
Nominal input flow rate (max.) at $n_n$ and $p_{2n}$		$Q_n$	[dm <sup>3</sup> .min <sup>-1</sup> ]	33.3	41.7	46.7	51.7	65.0
Maximum input flow rate at $n_{max}$ and $p_{2max}$		$Q_{max}$	[dm <sup>3</sup> .min <sup>-1</sup> ]	68.1	85.1	89.4	92.3	74.7
Nominal output power (min.) at $n_n$ and $p_{2n}$		$P_n$	[kW]	9.7	10.6	11.8	10.5	9.9
Maximum output power at $n_{max}$ and $p_{2max}$		$P_{max}$	[kW]	25.4	2.4	28.4	25.5	16.5
Nominal Torque at $n_n$ and $p_{2n}$		$M$	[Nm]	65.9	71.6	80.2	71.0	67.0
Weight		$m$	[kg]	5.70	5.85	6.00	6.20	6.55

External drainage must be used in case of the reversible design.

## FORMULAS USED FOR CALCULATION

Flow rate  
 $Q$

$$Q = \frac{V_g \cdot n}{1000} \cdot \eta_v \quad [\text{dm}^3 \cdot \text{min}^{-1}]$$

$V_g$  [cm<sup>3</sup>] pump displacement  
 $n$  [min<sup>-1</sup>] rotation speed  
 $\eta_v$  [-] volumetric efficiency

Displacement  
 $V_g$

$$V_g = \frac{Q \cdot 1000}{n \cdot \eta_v} \quad [\text{cm}^3]$$

Torque  
 $M_k$

$$M_k = \frac{V_g \cdot p}{20 \cdot \pi \cdot \eta_m} \quad [\text{Nm}]$$

$p$  [bar] required pressure at outlet  
 $\eta_m$  [-] mechanical efficiency

Input power  
 $P$

$$P = \frac{V_g \cdot n \cdot p}{600 \cdot 1000 \cdot \eta_t} \quad [\text{kW}]$$

$\eta_t$  [-] total efficiency

## MOTOR EFFICIENCIES

Volumetric efficiency

$\eta_v$

It determines the amount of flow losses. Its value is  $\eta_v = 0,92 \div 0,98$  (depending on rotation speed, viscosity of working liquid and outlet pressure). It can be expressed as follows:

$$\eta_v = \frac{Q_{act.}}{Q_{theor}} \quad [-]$$

$Q_{act.}$  [dm<sup>3</sup> · min<sup>-1</sup>] actual flow rate  
 $Q_{theor}$  [dm<sup>3</sup> · min<sup>-1</sup>] theoretical flow rate

Mechanical efficiency

$\eta_m$

It determines mechanical losses. Its value is about  $\eta_m = 0,85$ . It can be expressed as follows:

$$\eta_m = \frac{M_{theor}}{M_{act.}} \quad [-]$$

$M_{act.}$  [Nm] actual torque  
 $M_{theor}$  [Nm] theoretical torque

Total efficiency

$\eta_t$

It is defined as product of  $\eta_n$  and  $\eta_m$  and determines difference between theoretical and actual required input power:

$$\eta_t = \eta_v \cdot \eta_m = \frac{P_{theor}}{P_{act.}} \quad [-]$$

$P_{act.}$  [kW] actual input power  
 $P_{theor}$  [kW] theoretical input power

## WORKING LIQUID

- Mineral oils for hydraulic drives
- Hydraulic liquids based on plant oils suitable for hydraulic drives

### Liquid temperature

- $t = -20 \div +80$  [°C]  
when used with FKM (Viton) seal up to 120 [°C]

### Cinematic viscosity

- Recommended (during continuous operation):  $\nu = 20 \div 80 \cdot 10^{-6} [\text{m}^2 \cdot \text{s}^{-1}]$
- Maximum (cold starting, at viscosity  $>1000$ , operating pressure  $<10$  bar is permissible, speed  $<1500 \cdot \text{min}^{-1}$ ):  $\nu = 1200 \cdot 10^{-6} [\text{m}^2 \cdot \text{s}^{-1}]$
- Minimum (operating mode at  $10 \cdot 10^{-6}$  up  $20 \cdot 10^{-6}$  should be consulted with manufacturer):  $\nu = 10 \cdot 10^{-6} [\text{m}^2 \cdot \text{s}^{-1}]$

### Filtration coefficient $\beta_\alpha$

$\beta_{25} 75 \geq$  (for pressure  $p_2 < 200$  bar)  
 $\beta_{10} 75 \geq$  (for pressure  $p_2 > 200$  bar)

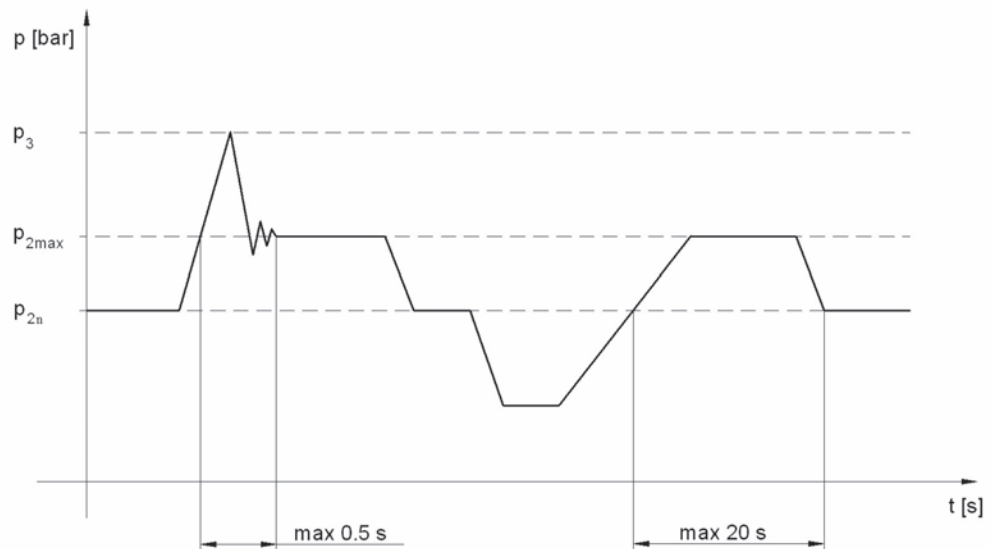
### Liquid contamination class according to ISO 4406

21/18/15 (for pressure  $p_2 < 200$  bar)  
 20/17/14 (for pressure  $p_2 > 200$  bar)

### Liquid contamination class according to NAS 1638

10 (for pressure  $p_2 < 200$  bar)  
 8 (for pressure  $p_2 > 200$  bar)

## PRESSURE LOAD



- $p_{2n}$  **max. contin. pressure** Max. working pressure, at which the pump can be operated without time limitation.
- $p_{2max}$  **max. pressure** Maximum pressure permissible for a short time, max. 20s.
- $p_3$  **peak pressure** Short-time pressure (fractions of a second) arising in case of a sudden change of the operating mode; any excess of this pressure during operation is impermissible.

## OTHER REQUIREMENTS

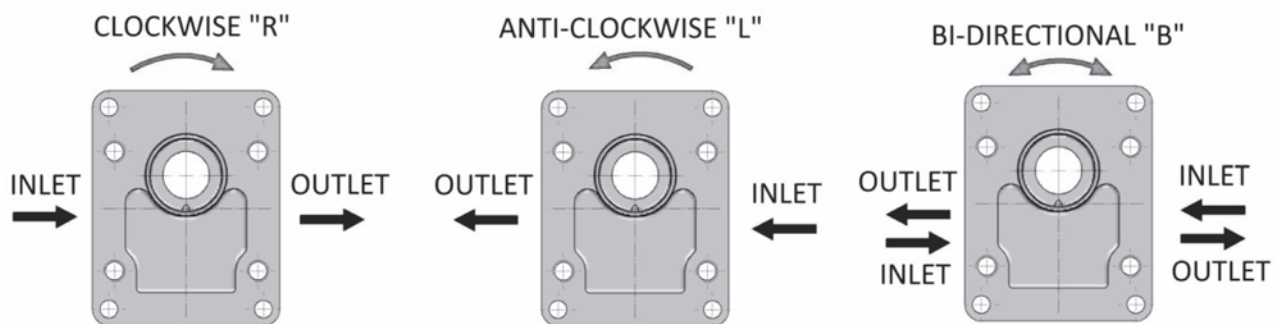
- Driven equipment must not infer axial or radial load motor shaft, if this is not expressly permitted at motor with the front-end bearing.
- All requirement affecting technical parameters and characteristics of the motor are given in the relevant operating instructions, technical specifications and test regulations of the manufacturer.
- For special purposes, is possible use reinforced version (UMDD) or a shortened version (UMDK).
- UDD motors are a reinforced version, which is longer about 10 mm. Motor has increased the pressure from displacement  $>16 \text{ cm}^3/\text{rev}$ . Positions of inlets and outlets is shifted about 5 mm on body and 10 mm on cover opposite standard version.
- UDK motors are a shortened about 20 mm. Position of inlets and outlets is shifted about 10 mm on body and 20 mm on cover opposite standard version.

## SHAFT SEAL

- For increased demands of pressure on the output hydraulic motor, especially at large distances from the outlet of tank, is possible use a reinforced shaft seal as special arrangements.

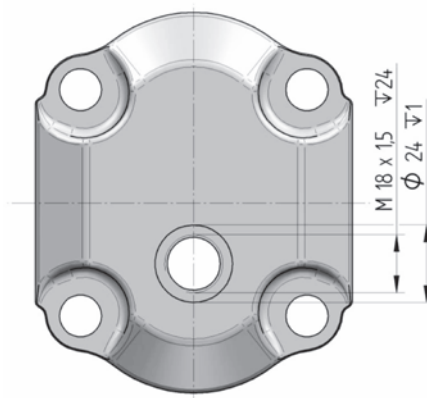
## DIRECTION OF ROTATION

- Determine direction of rotation by looking at the drive shaft. The motor can only be used in the specified direction of rotation.



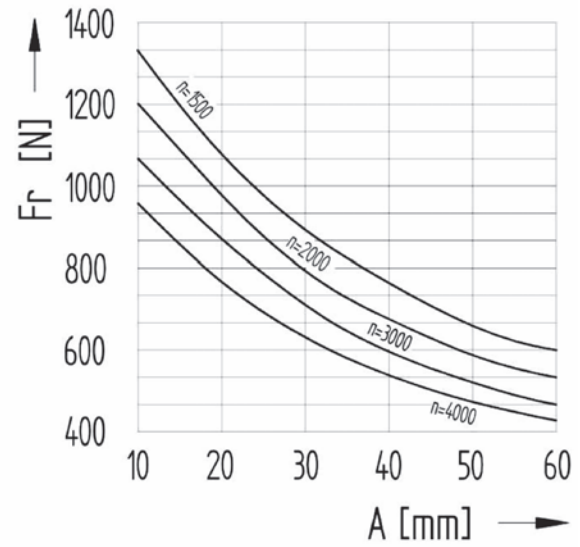
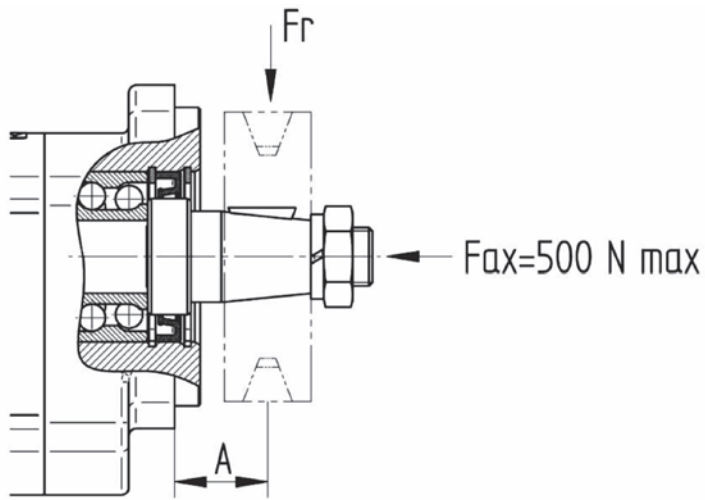
## REVERSIBLE DESIGN

- Motors with the possibility of bidirectional rotation have a different internal arrangements requiring drainage. Two types of drain are used – internal and external. Internal drainage is always by means of valves connected to output, which do not affect on the outer design. External drainage is solved by hole, which is located in the cover against the driven gear (see figure below). Max. pressure in the drainage of the serial version (standard shaft seal) is 0.5 bar.



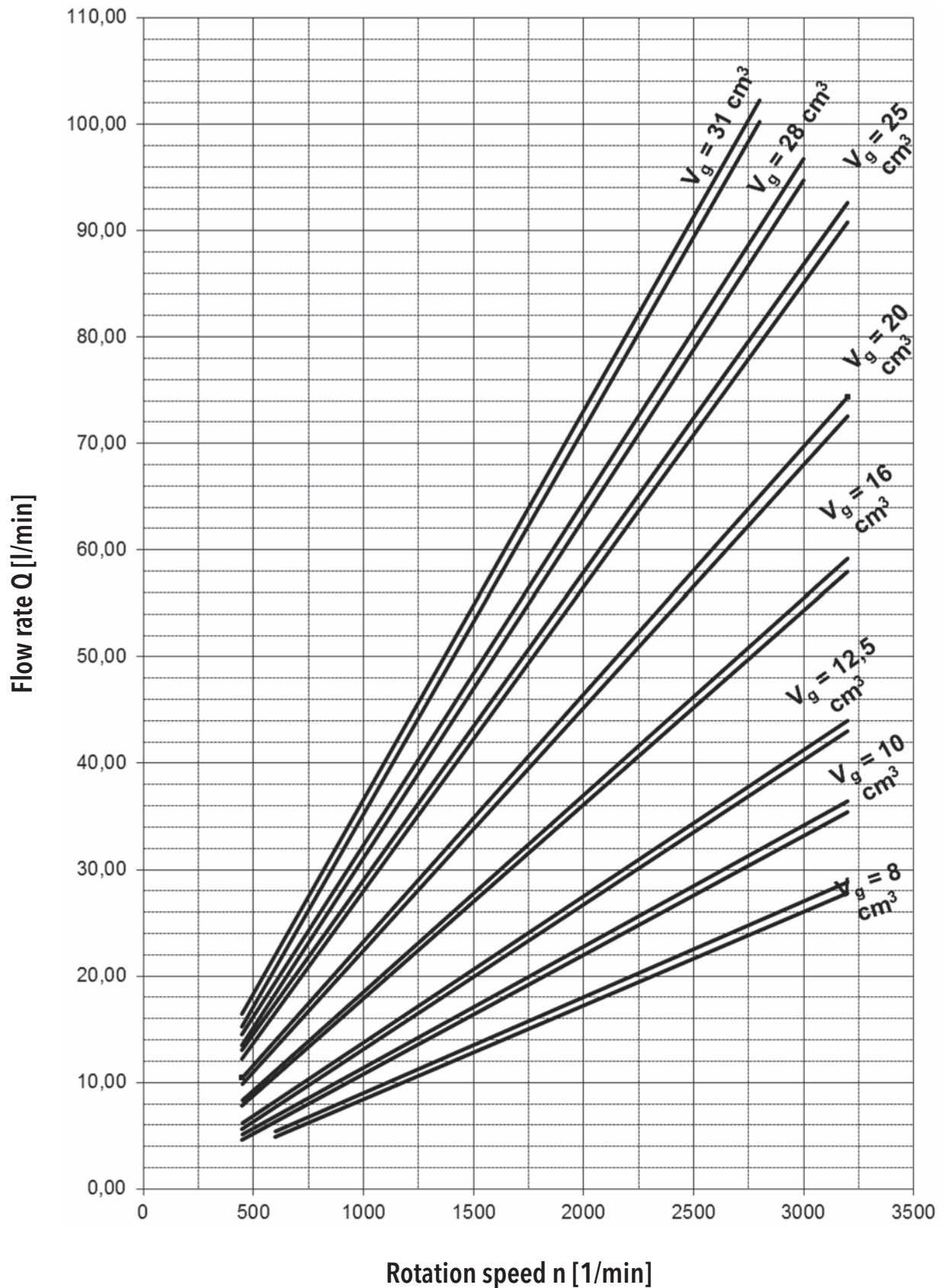


## MOTOR WITH FRONT-END BEARING

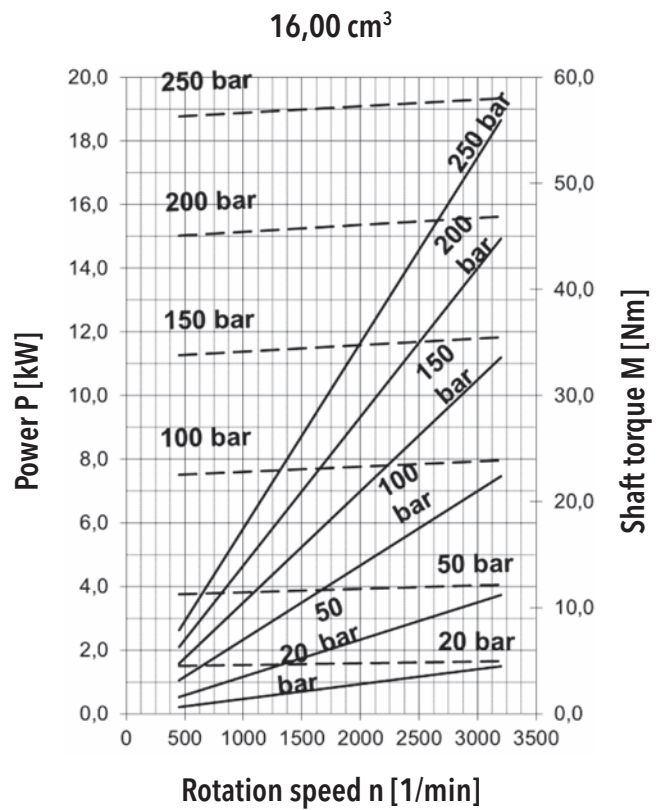
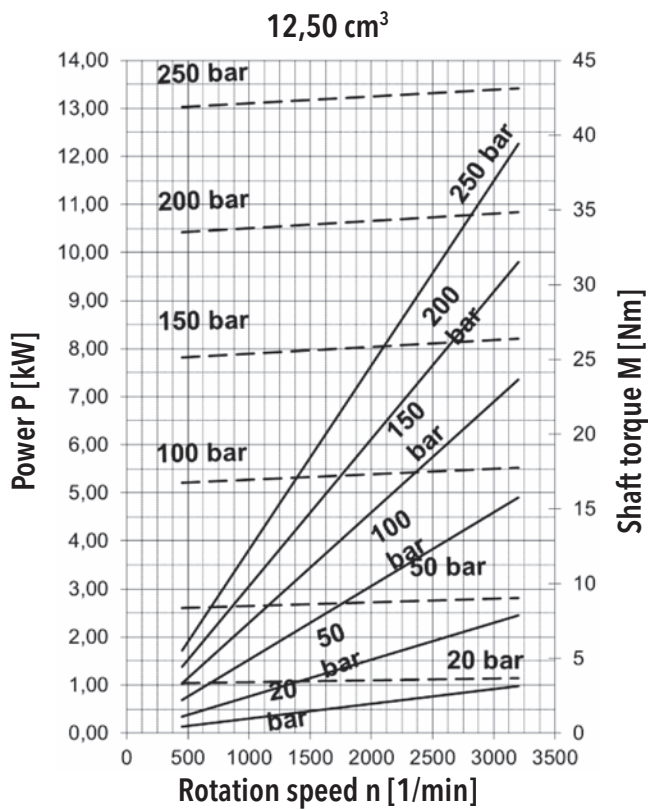
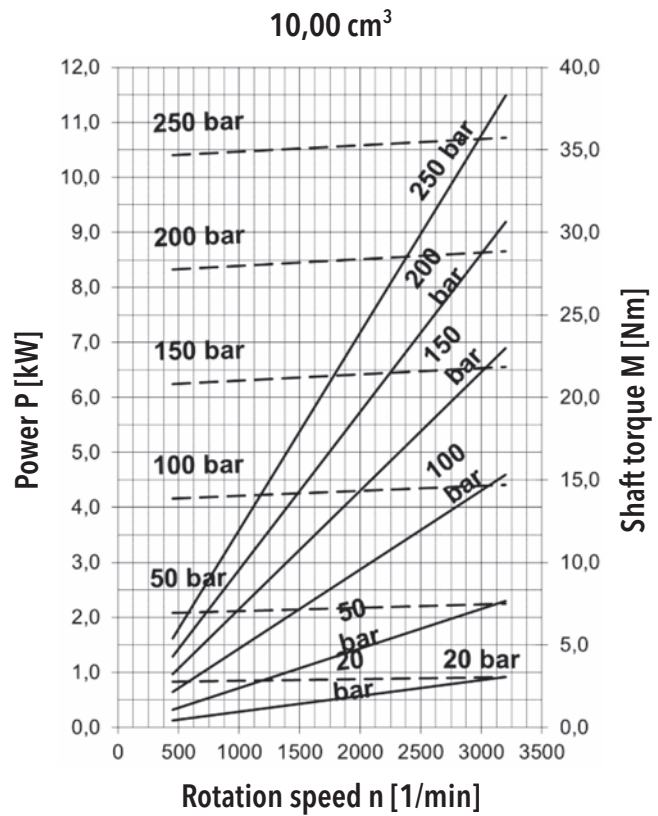
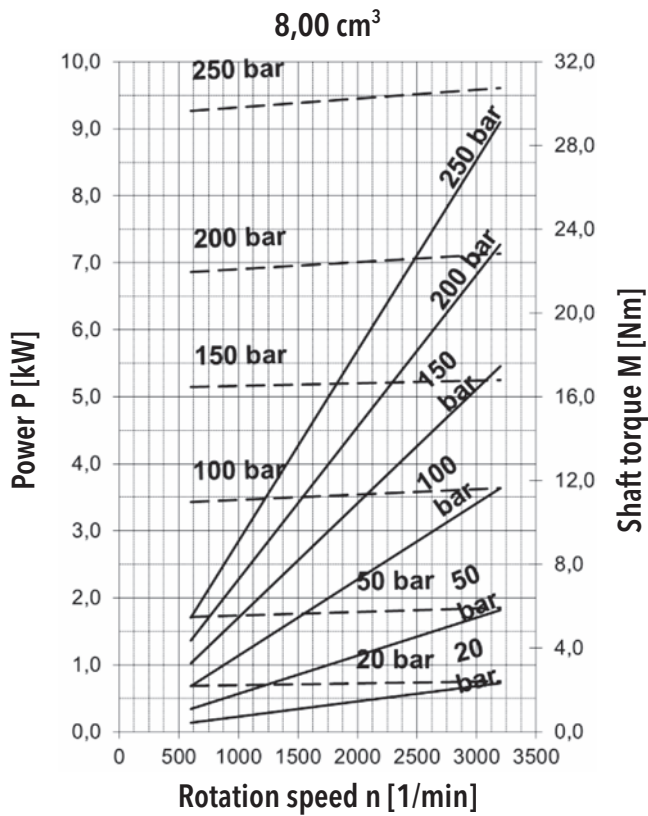


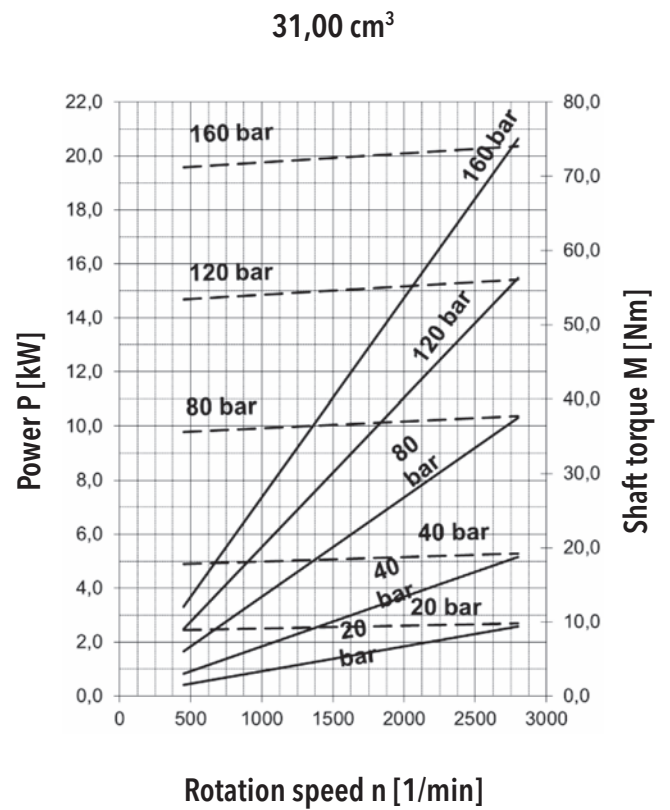
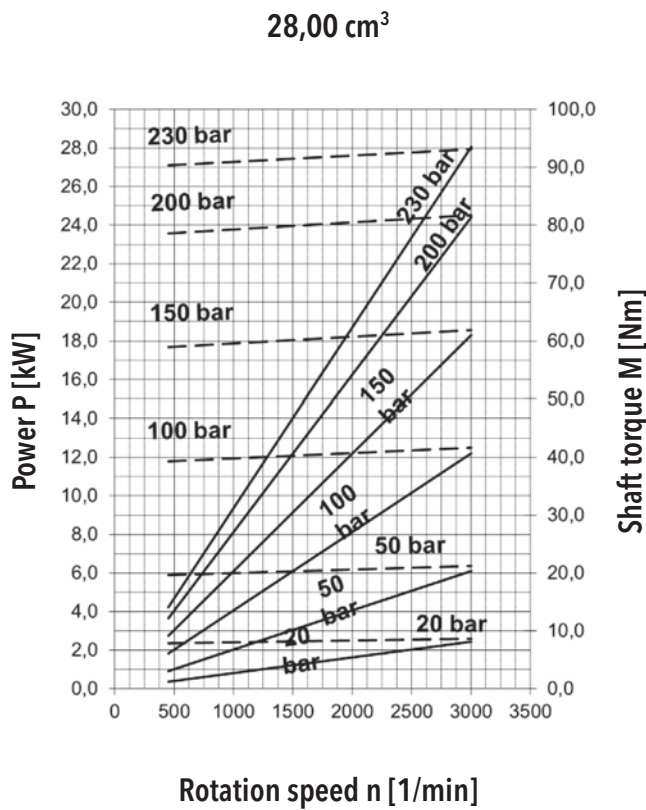
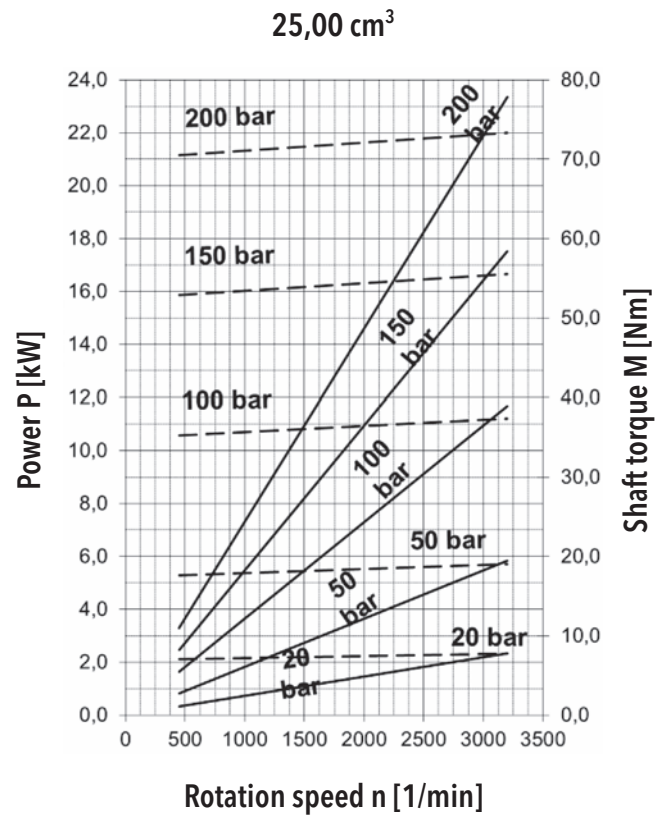
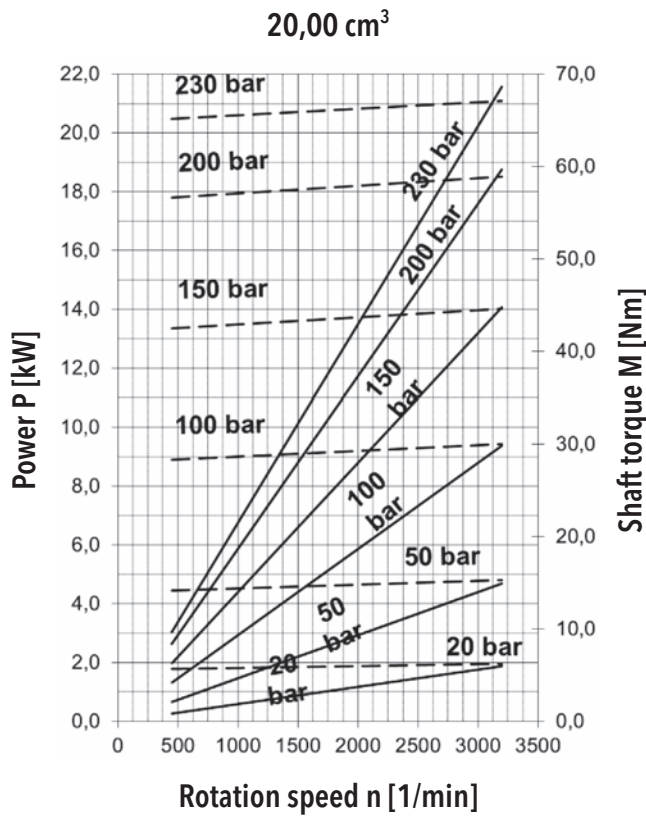
Without front-end bearing must not transfer the driven unit, after connecting to the hydraulic motor, axial or radial load to the drive shaft.

## UMD FLOW RATE AND POWER CURVES



The above characteristics apply to oil ISO Vg 46 at  $t = 45 \text{ }^\circ\text{C}$ .





## ORDER KEY

UMD - 16 R - R08 D12 - S M09 M07 - V . 000

Code	Displacement [cm <sup>3</sup> ]
5,0	5,01
8,0	7,93
10,0	10,02
12,5	12,10
16,0	16,28
20,0	20,45
25,0	25,46
28,0	28,38
31,0	32,14
39,0	40,07
XX	Other displacements on request

Code	Direction of rotation
R	Clockwise rotation
L	Anti-clockwise rotation
B	Reversible rotation

Code	Type
UD	UD Series Gear Motor
UDK	UD Series Gear Motor, shortened version
UDD	UD Series Gear Motor, reinforced version

Code	Flange design	
R08		Rectangular flange, centre ring $\varnothing 62$ , spacing 86x120, with O-ring
R09		Rectangular flange, centre ring $\varnothing 62$ , spacing 86x120
R10		Rectangular flange, centre ring $\varnothing 63$ , spacing 76x96
S02		SAE A, centre ring $\varnothing 82,55$ , 2 aperture, spacing 106,4
S03		SAE B, centre ring $\varnothing 101,6$ , 2 aperture, spacing 146
K01		Centre ring $\varnothing 62$ , 2 bolts, spacing 115
Z		Special design

Code	Location of inlets and outlets	
S		Side (in the body)
R		Axial (in the cover)
C		Combination

Code	Drive shaft design	
D04		Spline 5/8"
D12		Spline 22x1
D13		Spline SAE 7/8"
D24		Spline 6x18x22
K08		Cross coupling
V13		Cylindric
Z		Special design

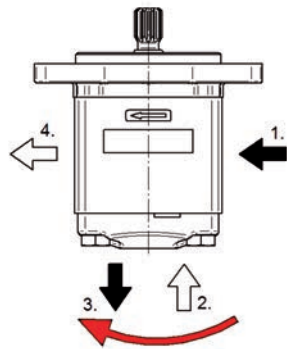
Code	Special arrangements
-	Without special arrangements

Code	Sealing material
V	FPN (VITON)
N	NBR

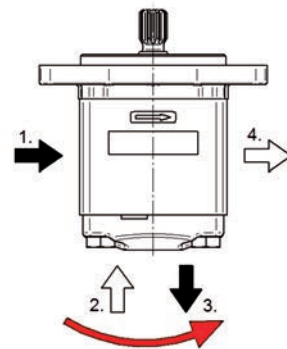
Code	Liquid inlet and outlet connection shape	
M03		Thread M 14x1,5
M05		Thread M 18x1,5
M06		Thread M 20x1,5
M07		Thread M 22x1,5
M09		Thread M 27x2
M12		Thread M 33x2
G03		Thread BSP G1/2
G04		Thread BSP G3/4
G05		Thread BSP G1
G06		Thread BSP G1 1/4
H05		Flange fitting 4xM6/ $\varnothing 35$ ; $\varnothing 15$
H06		Flange fitting 4xM6/ $\varnothing 40$ ; $\varnothing 20$
H08		Flange fitting 4xM6/ $\varnothing 30$ ; $\varnothing 13,5$
H11		Flange fitting 4xM10/ $\varnothing 51$ ; $\varnothing 26$
K03		Flange fitting 4xM8/ $\varnothing 40$ ; $\varnothing 18$
E02		Flange fitting 3/4
E03		Flange fitting 1
E04		Flange fitting 1 1/4
Z		Special design

An example of designation for the UMD anti-clockwise motor with displacement of 16 cm<sup>3</sup>, Rectangular flange, center ring  $\varnothing 62$ , spacing 86x120, without O-ring, Involute spline 22x1, inlet and outlet in body with metric thread and standard NBR sealing without special arrangements: **UMD-16L-R09D12-SM09M07-N.0000**

Note: In case of combination inlets, with the code „C” is respected following sequence of inlets and outlets:



For clockwise and reverse gear motor,  
in direction clockwise



For anti-clockwise gear motor,  
in direction anti-clockwise

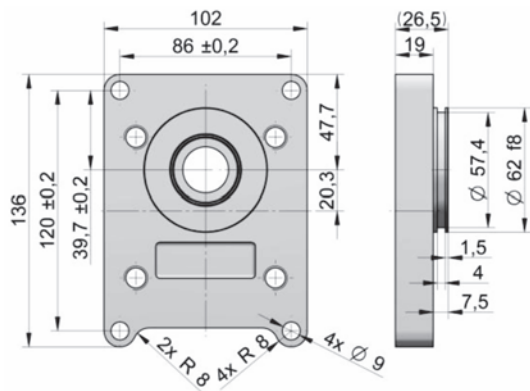
For ex....: UMD-16R-S02D04-CG03 G03 G04 G04 -N  
1. 2. 3. 4.

## COMBINATIONS OF FLANGES AND SHAFTS

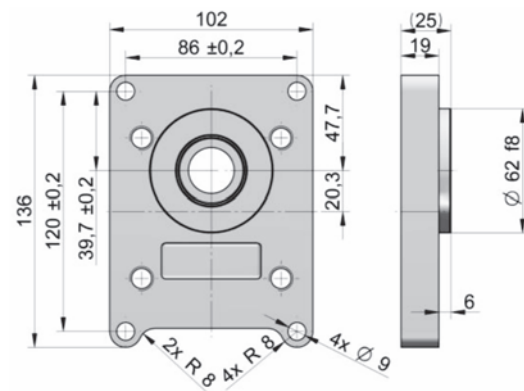
		FLANGE DESIGN					
		R08	R09	R10	S02	S03	K01
DRIVE SHAFT	D04						
	D12	●	●				
	D13					●	●
	D24			●			
	K08	●	●				
	V13	●	●				

## FLANGES DESIGN

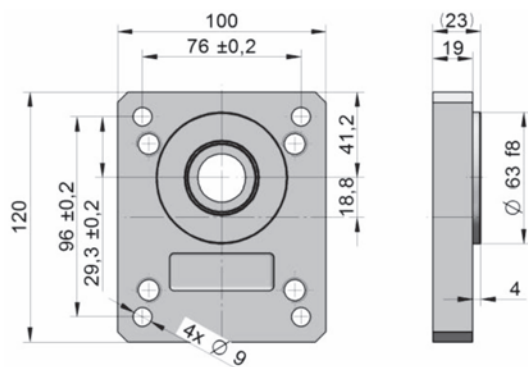
**R08:**



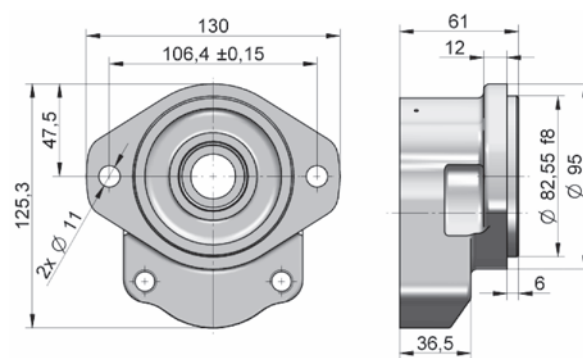
**R09:**



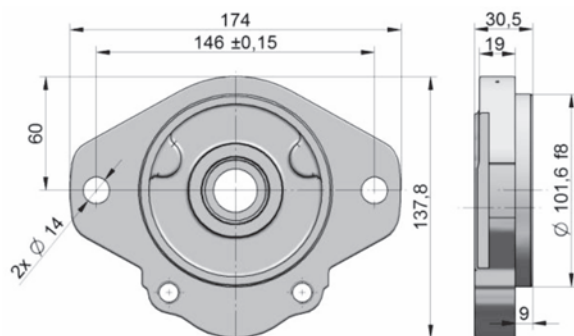
**R10:**



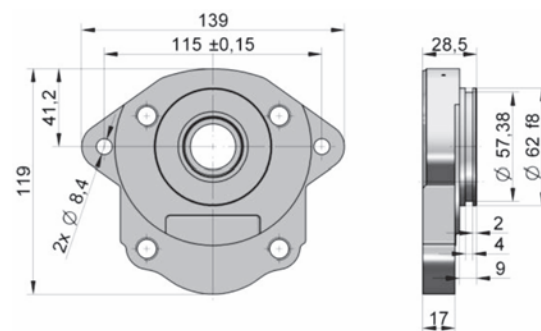
**S02:**



**S03:**

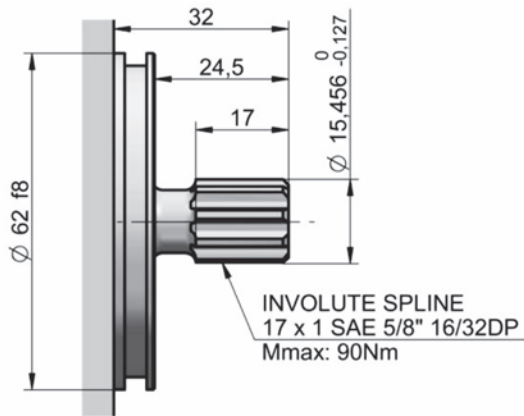


**K01:**

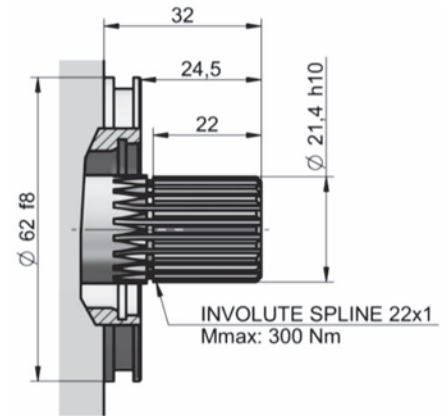


## DRIVE SHAFTS

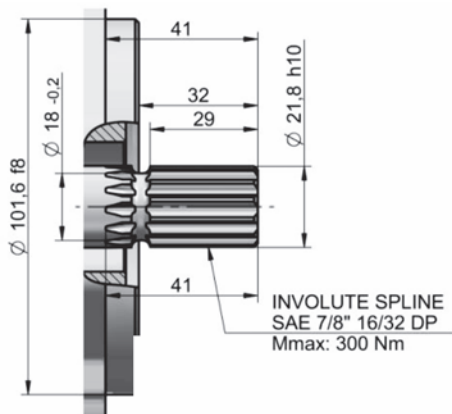
**D04:**



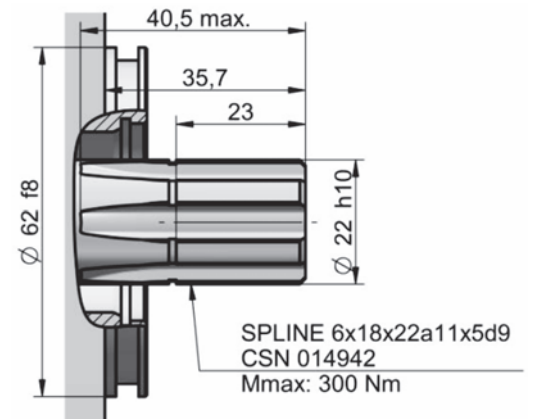
**D12:**



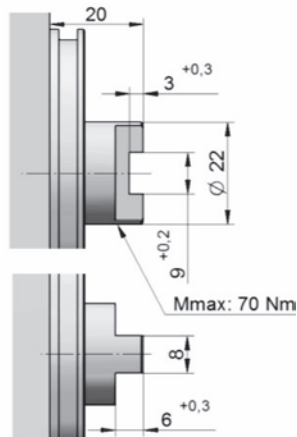
**D13:**



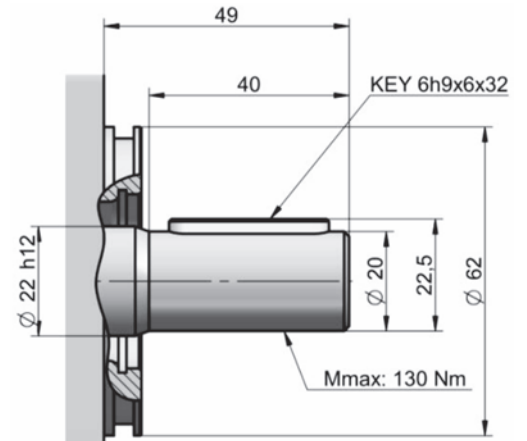
**D24:**



**K08:**



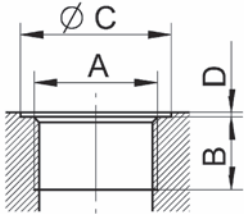
**V13:**





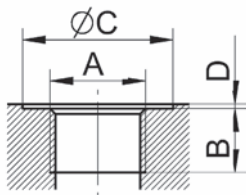
## LIQUID INLET AND OUTLET CONNECTION

### Metric thread according to ISO 6149



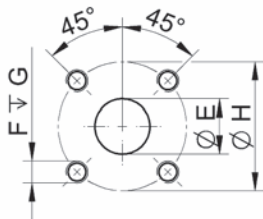
Code	A	B	C	D
M03	M 14 x 1.5	13	22	1
M05	M 18 x 1.5	14	24	1
M06	M 20 x 1.5	14	26	1
M07	M 22 x 1.5	14	28	1
M09	M 27 x 2.0	16	33	1
M12	M 33 x 2.0	18	40	1

### BSPP pipe thread according to ISO 228-1



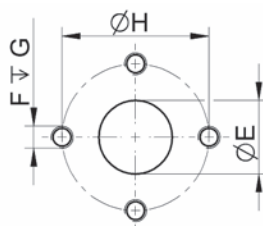
Code	A	B	C	D
G03	G 1/2"	14	33	1
G04	G 3/4"	16	39	1
G05	G 1"	18	45	1
G06	G 1 1/4"	18	57	1

### Flanged fittings according to DIN 8901/8902



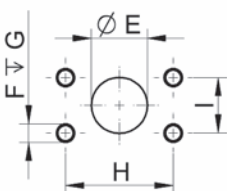
Code	E	F	G	H
H05	15.0	M6	13	35
H06	20.0	M6	13	40
H07	13.5	M6	13	30
H11	26.0	M10	16	51

### Flanged fittings - „cross“



Code	E	F	G	H
K03	18	M8	16	40

### Flanged fittings according to SAE, metric thread

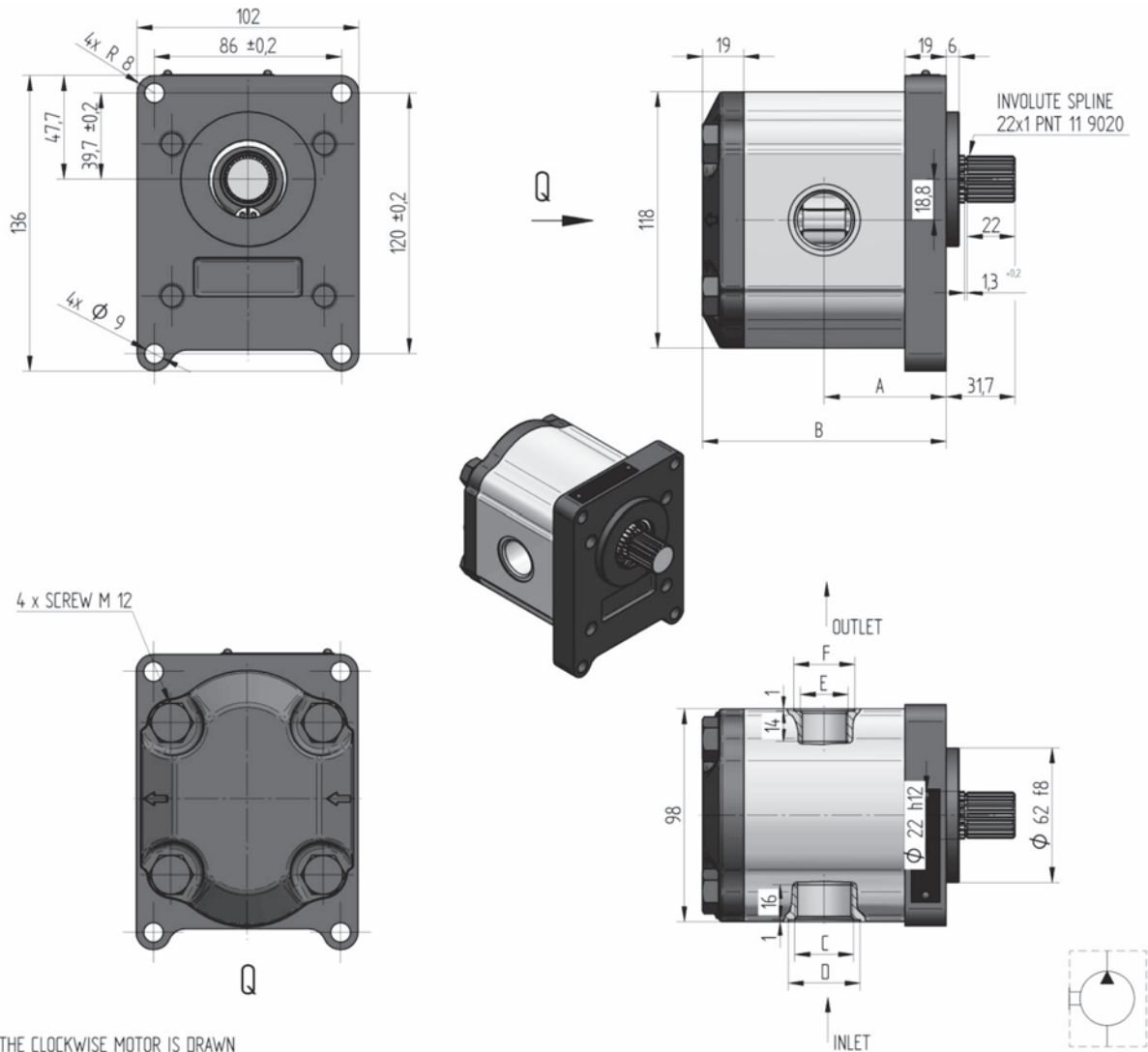


Code	E	F	G	H	I
E02	19.0	M10	18	47.6	22.2
E03	25.4	M10	18	52.4	26.2
E04	30.5	M10	18	58.7	30.2

### Drains

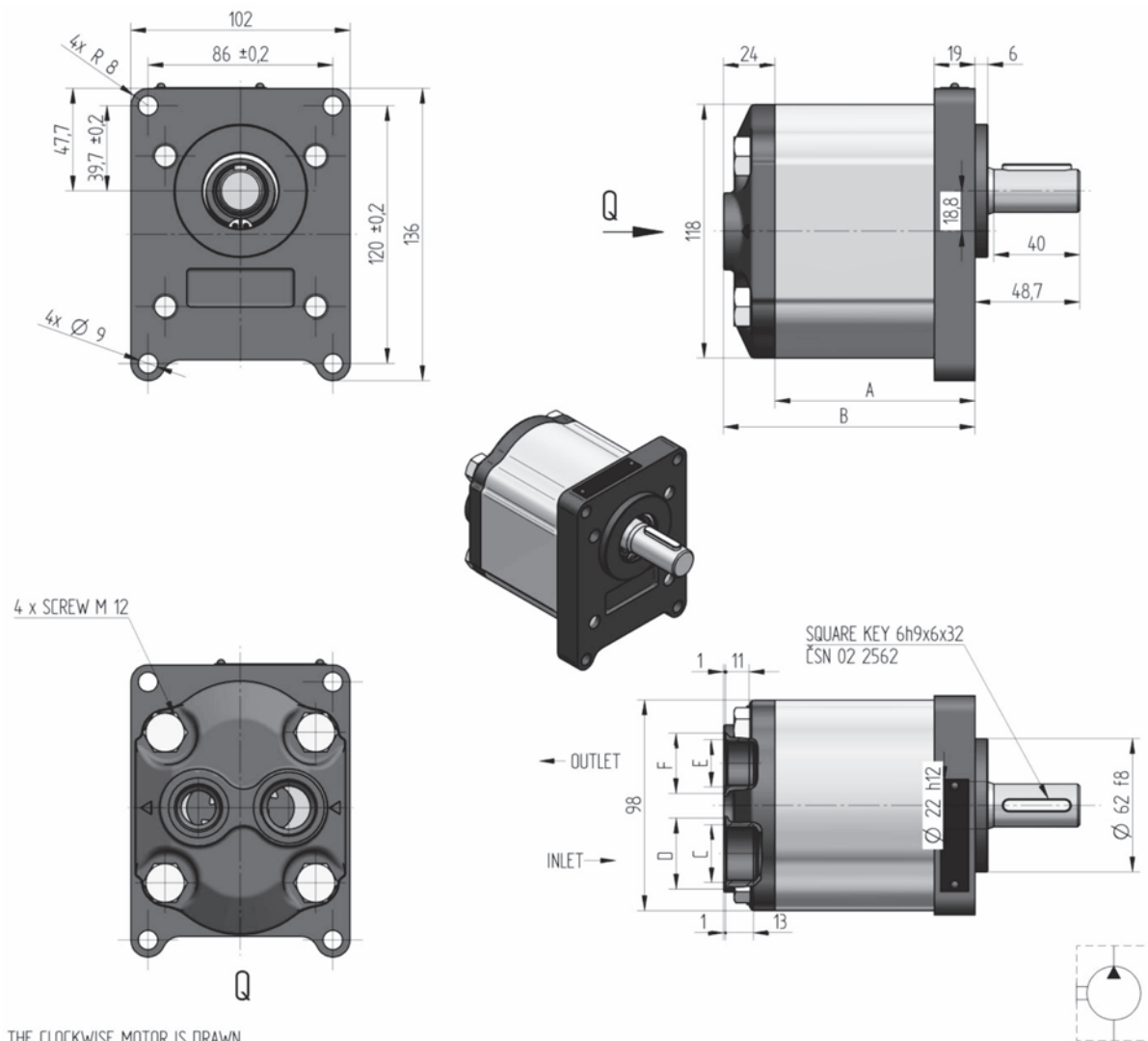
Code	A	B	C	D
M05	M18x1.5	14	24	1

## CATALOGUE SHETS OF UMD SERIES BASIC DESIGNS



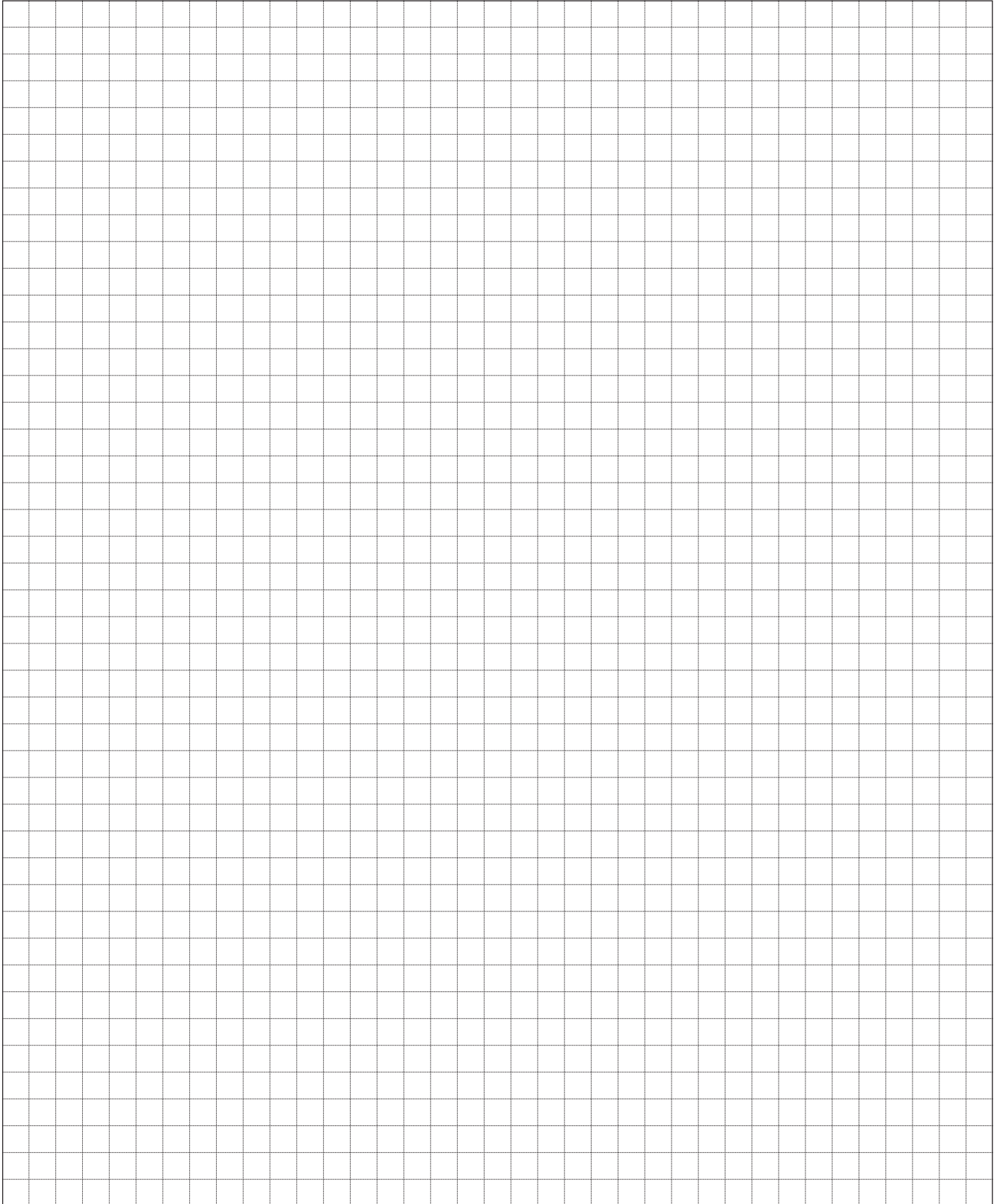
THE CLOCKWISE MOTOR IS DRAWN

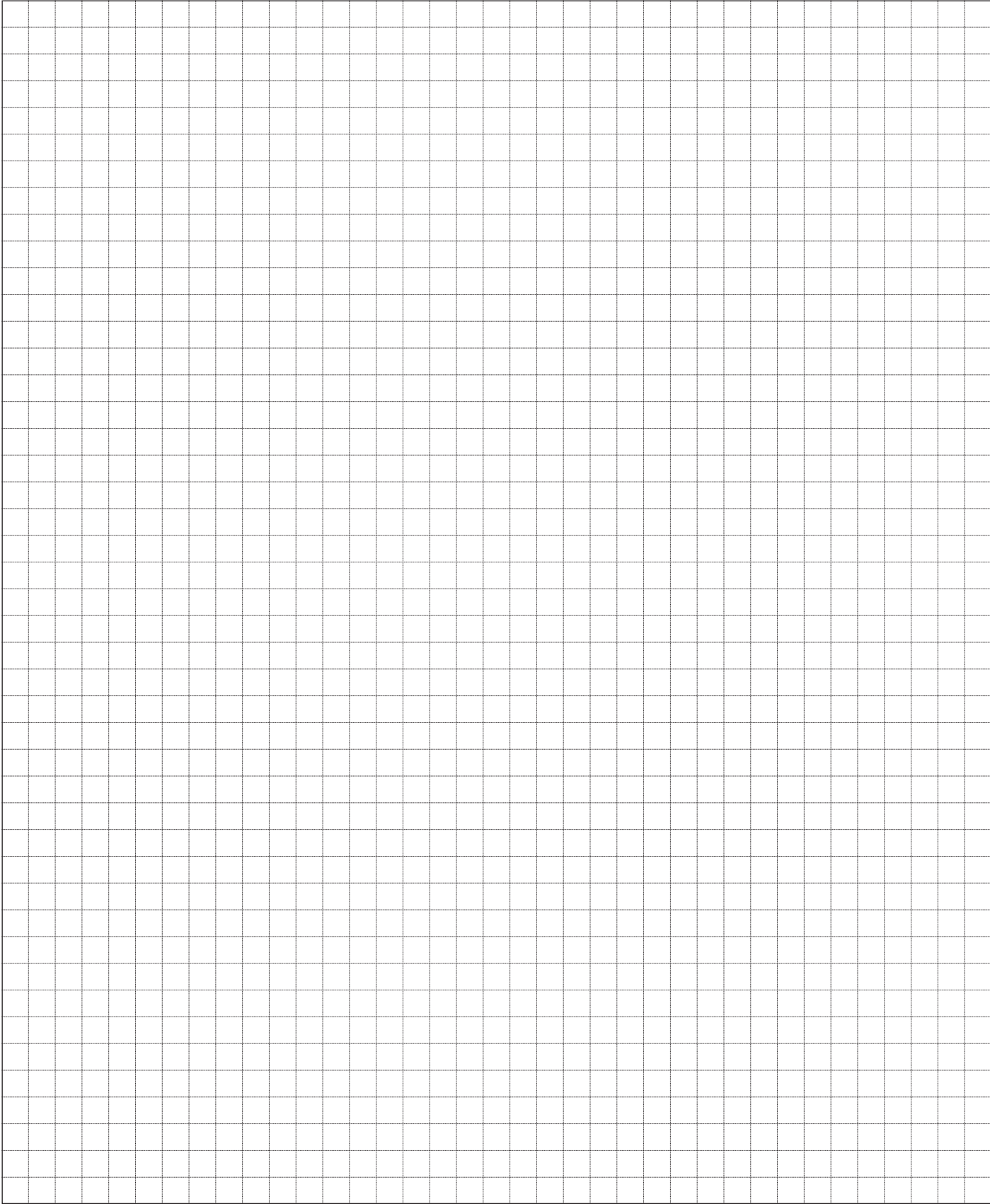
Order key	purch. code	direct. of rot.	displacement [cm <sup>3</sup> /1]	nom. press. [bar]	speed MIN. [min <sup>-1</sup> ]	speed MAX. [min <sup>-1</sup> ]	dimension					
							A [mm]	B [mm]	C [mm]	D [mm]	E [mm]	F [mm]
UMD-31L-R08D12-SM09M07-N	183 9476	L	31	200	450	2800	65.50	131.0	M27x2	Ø 33	M22x1.5	Ø 28
UMD-31R-R08D12-SM09M07-N	183 9047	R										
UMD-28L-R08D12-SM09M07-N		L	28	230	450	3000	63.25	126.5	M27x2	Ø 33	M22x1.5	Ø 28
UMD-28R-R08D12-SM09M07-N		R										
UMD-25L-R08D12-SM09M07-N	183 9475	L	25	250	450	3200	61.50	123.0	M27x2	Ø 33	M22x1.5	Ø 28
UMD-25R-R08D12-SM09M07-N	183 9046	R										
UMD-20L-R08D12-SM09M07-N	183 9412	L	20	270	450	3200	58.50	117.0	M27x2	Ø 33	M22x1.5	Ø 28
UMD-20R-R08D12-SM09M07-N	183 9413	R										
UMD-16L-R08D12-SM09M07-N	183 9406	L	16	290	450	3200	56.00	112.0	M27x2	Ø 33	M22x1.5	Ø 28
UMD-16R-R08D12-SM09M07-N	183 9407	R										
UMD-12.5L-R08D12-SM09M07-N		L	12.5	300	450	3200	53.50	107.0	M27x2	Ø 33	M22x1.5	Ø 28
UMD-12.5R-R08D12-SM09M07-N		R										
UMD-10L-R08D12-SM09M07-N	183 9400	L	10	300	450	3200	52.25	104.5	M27x2	Ø 33	M22x1.5	Ø 28
UMD-10R-R08D12-SM09M07-N	183 9401	R										
UMD-8L-R08D12-SM09M07-N		L	8	300	600	3200	51.00	102.0	M27x2	Ø 33	M22x1.5	Ø 28
UMD-8R-R08D12-SM09M07-N		R										

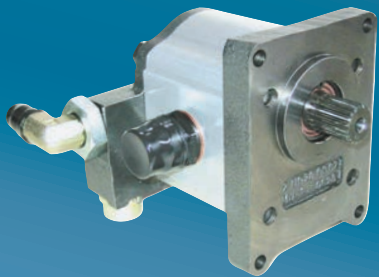


THE CLOCKWISE MOTOR IS DRAWN

Order key	purch. code	direct. of rot.	displacement [cm <sup>3</sup> /1]	nom. press. [bar]	speed MIN. [min <sup>-1</sup> ]	speed MAX. [min <sup>-1</sup> ]	dimension					
							A [mm]	B [mm]	C [mm]	D [mm]	E [mm]	F [mm]
UMD-31L-R09V13-RM09M07-N		L	31	200	450	2800	112.0	136.0	M27x2	Ø 33	M22x1.5	Ø 28
UMD-31R-R09V13-RM09M07-N		R										
UMD-28L-R09V13-RM09M07-N		L	28	230	450	3000	107.5	131.5	M27x2	Ø 33	M22x1.5	Ø 28
UMD-28R-R09V13-RM09M07-N		R										
UMD-25L-R09V13-RM09M07-N		L	25	250	450	3200	104.0	128.0	M27x2	Ø 33	M22x1.5	Ø 28
UMD-25R-R09V13-RM09M07-N		R										
UMD-20L-R09V13-RM09M07-N		L	20	270	450	3200	98.0	122.0	M27x2	Ø 33	M22x1.5	Ø 28
UMD-20R-R09V13-RM09M07-N		R										
UMD-16L-R09V13-RM09M07-N		L	16	290	450	3200	93.0	117.0	M27x2	Ø 33	M22x1.5	Ø 28
UMD-16R-R09V13-RM09M07-N		R										
UMD-12.5L-R09V13-RM09M07-N		L	12.5	300	450	3200	88.0	112.0	M27x2	Ø 33	M22x1.5	Ø 28
UMD-12.5R-R09V13-RM09M07-N		R										
UMD-10L-R09V13-RM09M07-N	183 9404	L	10	300	450	3200	85.5	109.5	M27x2	Ø 33	M22x1.5	Ø 28
UMD-10R-R09V13-RM09M07-N		R										
UMD-8L-R09V13-RM09M07-N		L	8	300	600	3200	83.0	107.0	M27x2	Ø 33	M22x1.5	Ø 28
UMD-8R-R09V13-RM09M07-N		R										







**jihostroj**  
AERO TECHNOLOGY & HYDRAULICS

**JIHOSTROJ a.s.**  
Budějovická 148  
CZ 382 32 Velešín  
Czech Republic  
tel.: +420 380 340 511  
fax: +420 380 340 612  
e-mail: mailbox@jihostroj.cz  
http: //www.jihostroj.com

GPS 48°49'51.748" N 14°27'40.770" E

